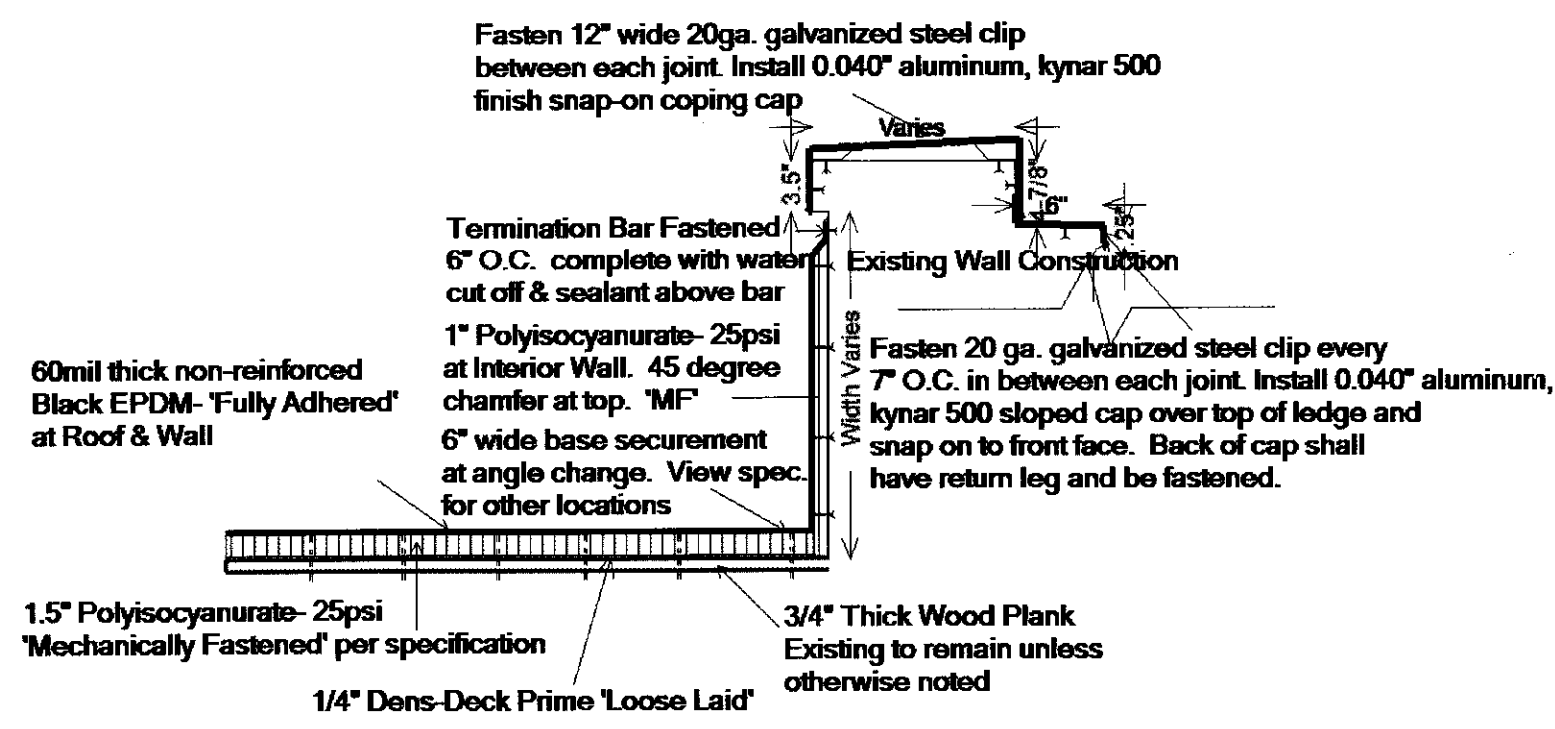


- NOTES:
 1) areas with existing coping cap & ledge flashing to remain.
 2) dimensions listed below are approximate existing structure. GC to field verify.
 3) existing BUR on interior parapet wall to remain during demolition.

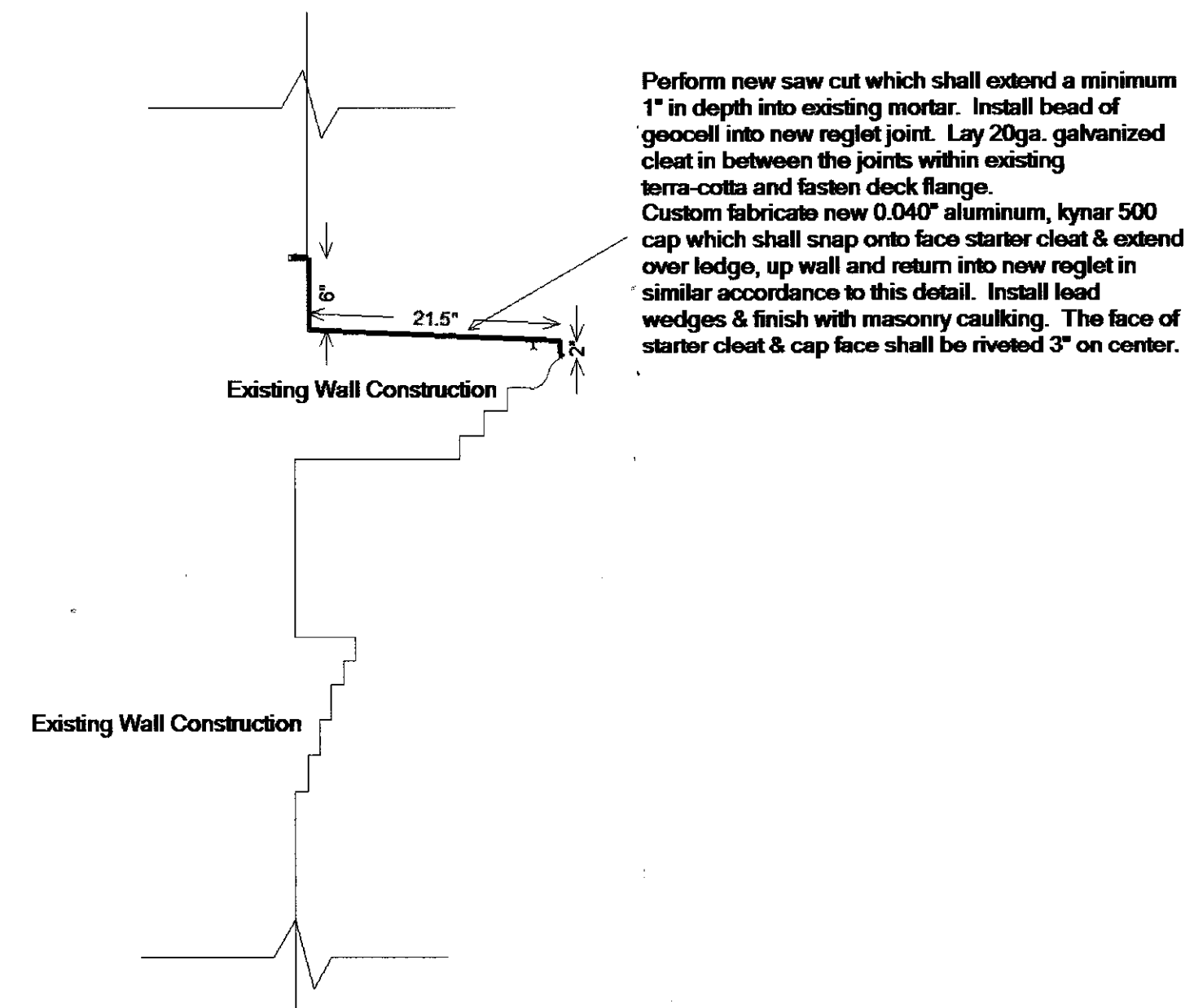


Typical Parapet Wall Section

Scale: As Noted

1

- NOTES:
 1) remove existing white EPDM & termination bar before installation of this detail.
 2) dimensions listed below are approximate existing structure. GC to field verify.



Low Shelf

Scale: As Noted

2

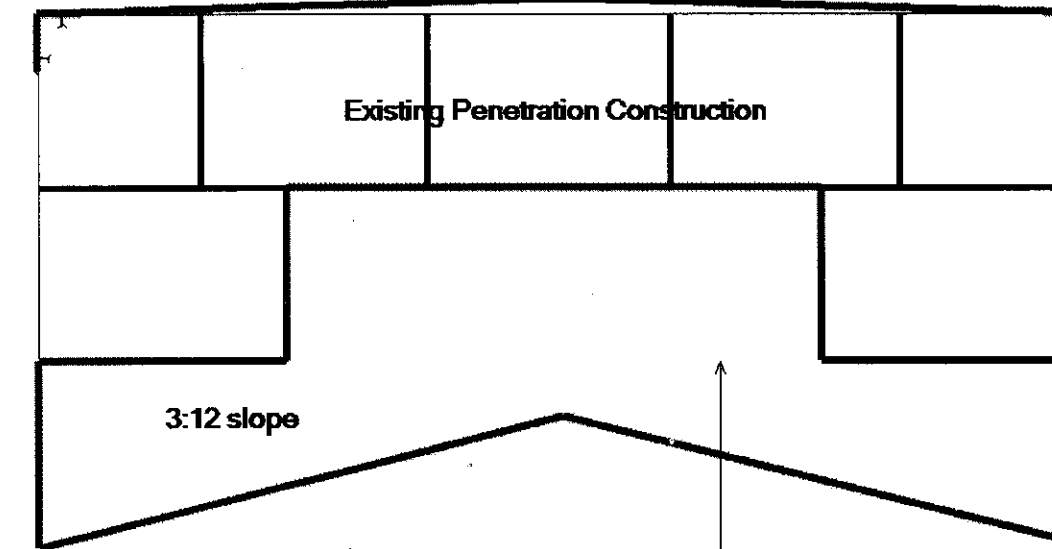
Elevation View of Cap at Shingle Roof

Scale: As Noted

3

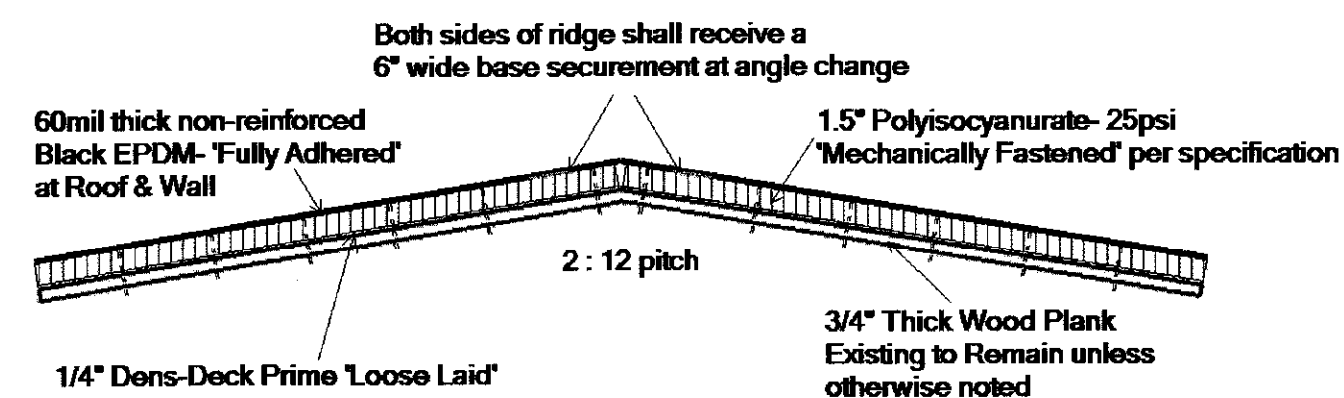
Custom fabricate new L-Bend 20oz. copper starter cleat around entire penetration. Cleat shall lay between terra-cotta joint. Fasten at face & deck flange.

Custom fabricate new 20oz. copper cap which shall fully encapsulate the approximate 73" x 31" penetration. New cap shall snap onto starter cleat and be fully soldered at any laps.



Remove existing counter-flashing and clean existing reglet. Perform new cut which shall extend 1/2" further than existing. Install geocell into prepared reglet. Custom fabricate new 20oz. copper counter-flashing. Install lead wedges in reglet and finish with bead of masonry sealant. This detail shall be typical at all sides of penetration.

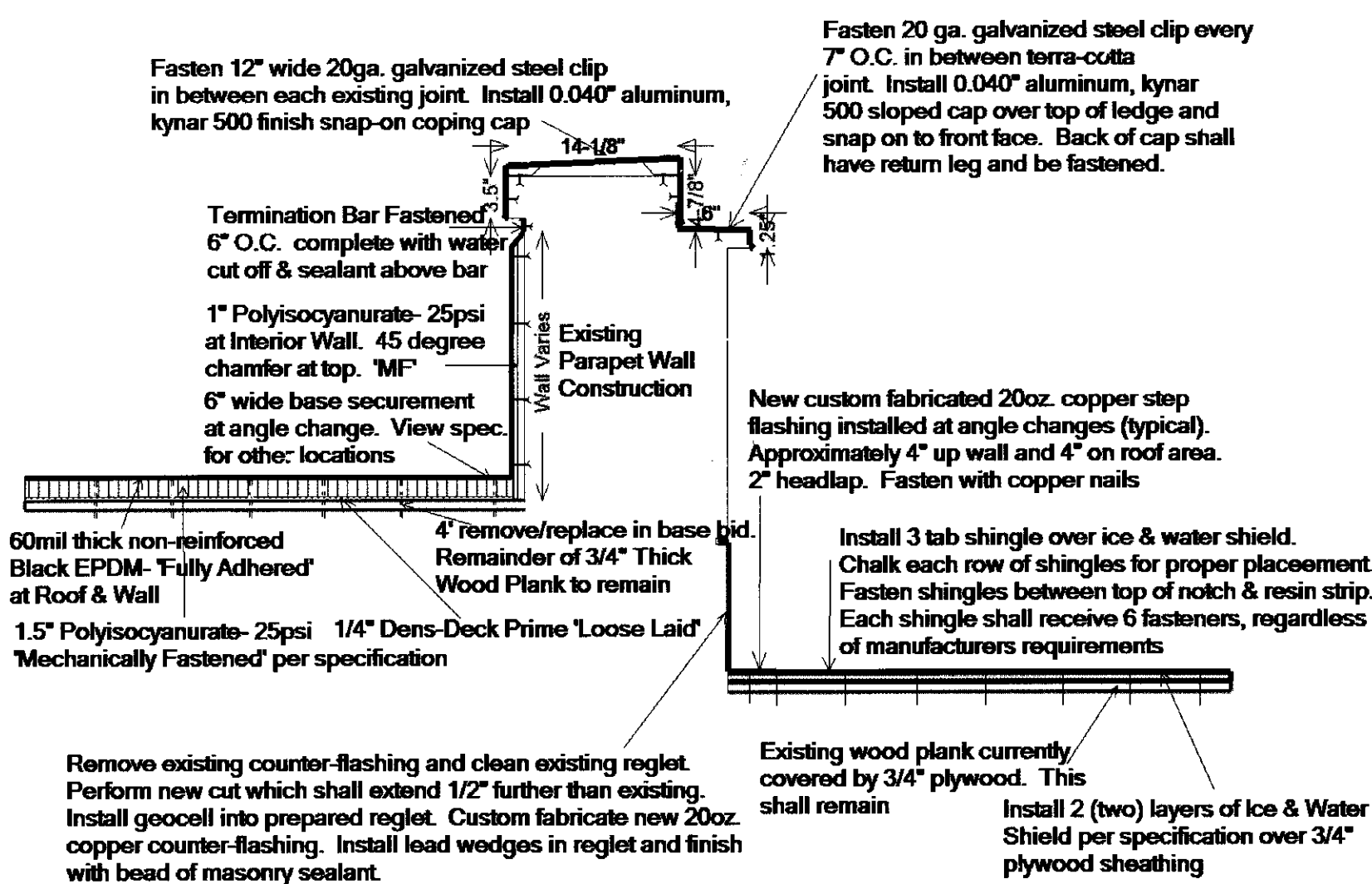
- NOTES:
 1) areas with existing coping cap & ledge flashing to remain.
 2) dimensions listed below are approximate existing structure. GC to field verify.
 3) existing BUR on interior parapet wall to remain during demolition.



EPDM Ridge

Scale: As Noted

4



Step & Counter-Flashing

Scale: As Noted

5

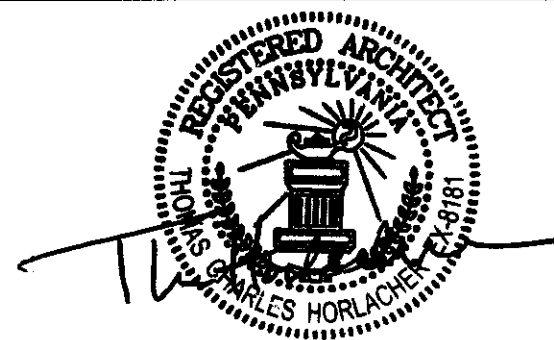
Shingle Drip Edge- Rake

Scale: As Noted

6

Thomas Horlacher, A.I.A.

Architecture and Historic Preservation
 P.O. Box 581
 Scranton, Pennsylvania 18501
 Phone (570) 346-7914
 Fax (570) 346-1769



LACKAWANNA COUNTY LIBRARY SYSTEM

CHILDRENS LIBRARY ROOF REPLACEMENT & HVAC RENOVATIONS
 520 VINE STREET SCRANTON, PA. 18503

ROOF DETAIL PLAN

RBD
TH
AS NOTED
5-25-15

A-2